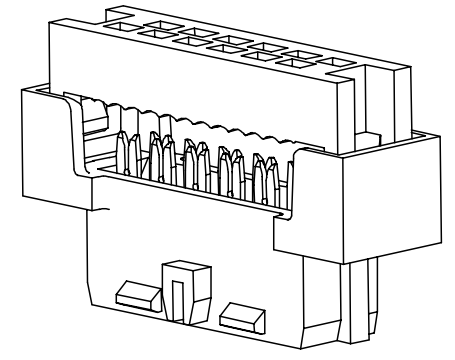
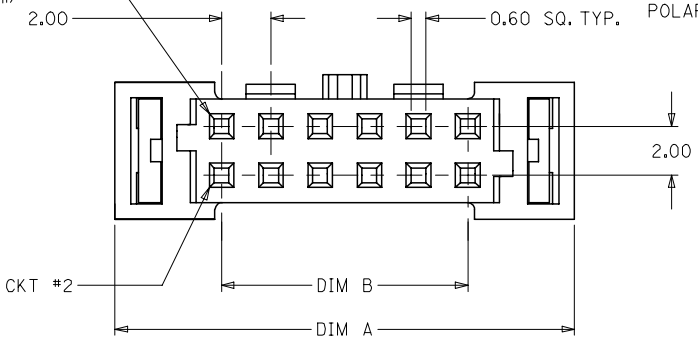
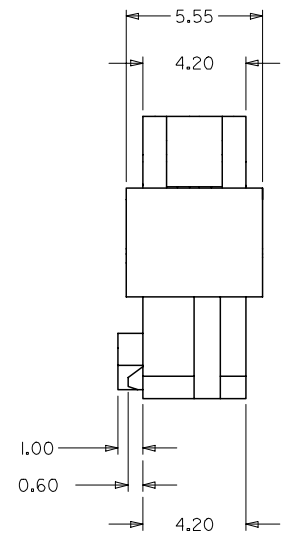
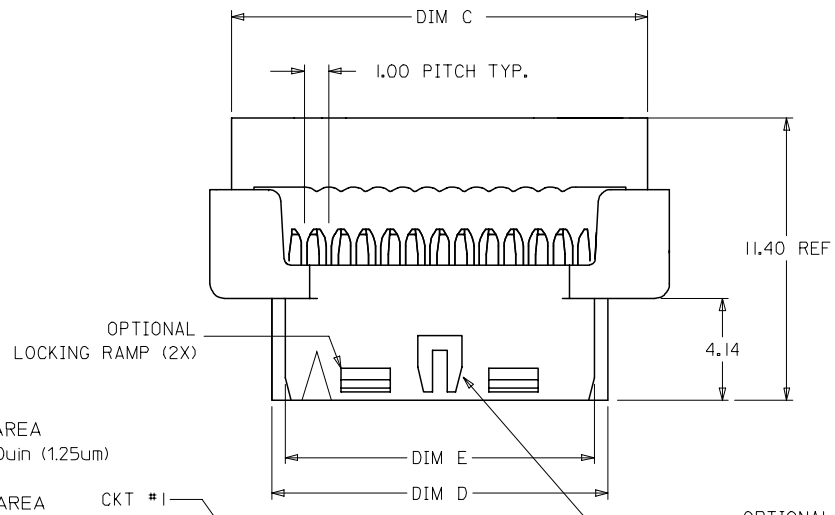


10 9 8 7 6 5 4 3 2 1

1. MATERIALS:
 HOUSING - PBT, GLASS FILLED UL94V-0 BLACK
 TERMINAL - COPPER ALLOY
2. FINISHES
 PLATING 3 - 15µin (0.38µm) SELECTIVE GOLD IN CONTACT AREA
 AND 75µin (1.88µm) TIN IN IDT AREA OVER 50µin (1.25µm)
 NICKEL OVERALL.
 PLATING 4 - 30µin (0.76µm) SELECTIVE GOLD IN CONTACT AREA
 AND 75µin (1.88µm) TIN IN IDT AREA OVER 50µin (1.25µm)
 NICKEL OVERALL.
3. PRODUCT SPEC PS-87568-004 APPLIES
4. FOR ILLUSTRATION PURPOSES, I2 CKT IS SHOWN
5. PART MATES WITH ALL MILLIGRID HEADERS WITH MATING LENGTH
 BETWEEN 2.50mm AND 4.20mm
6. PART IS DESIGNED FOR 1.00mm PITCH FLAT CABLE, 7 STRANDS,
 AWG #28, UL2651 AND UL2678
7. ALL OTHER CIRCUIT SIZES, CONTACT FACTORY.
8. STRAIN RELIEF TO BE PURCHASED SEPERATELY,
 REFER TO SD-87569-008



OBS TIN/LEAD P/N EC NO: S2006-0732 DRWN:MLONG CHKD:NAGESHKN APPR:PTLIM	REV	QUALITY SYMBOLS	GENERAL TOLERANCES (UNLESS SPECIFIED)		DIMENSION STYLE	SCALE	DESIGN UNITS	THIRD ANGLE PROJECTION		
		DESCRIPTION	mm	INCH	MM ONLY	NTS	METRIC	TITLE		
		DESCRIPTION	4 PLACES ± --- ± ---		DRAWN BY	DATE	MGRID			
		DESCRIPTION	3 PLACES ± --- ± ---		AGARWAL	1997/08/05	2MM DUAL ROW			
			2 PLACES ± 0.15 ± ---		CHECKED BY	DATE	IDT RECEPTACLE			
			1 PLACE ± --- ± ---		SQUEK	1997/09/03	MOLEX INCORPORATED			
			ANGULAR ± 3 °		APPROVED BY	DATE	DOCUMENT NO.			
			DRAFT WHERE APPLICABLE MUST REMAIN WITHIN DIMENSIONS		JAMES	1997/09/03	SD-87568-003		SHEET NO.	
					MATERIAL NO.				1 OF 3	
					SIZE					
					A3	THIS DRAWING CONTAINS INFORMATION THAT IS PROPRIETARY TO MOLEX INCORPORATED AND SHOULD NOT BE USED WITHOUT WRITTEN PERMISSION				

9 8 7 6 5 4 3 2 1

10 9 8 7 6 5 4 3 2 1

F

E

D

C

B

A

F

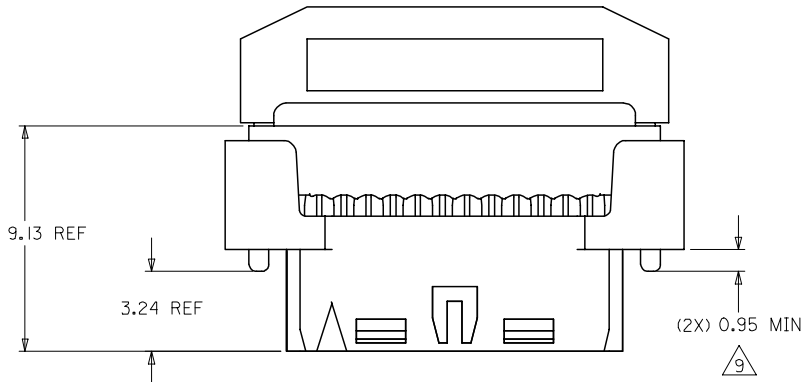
E

D

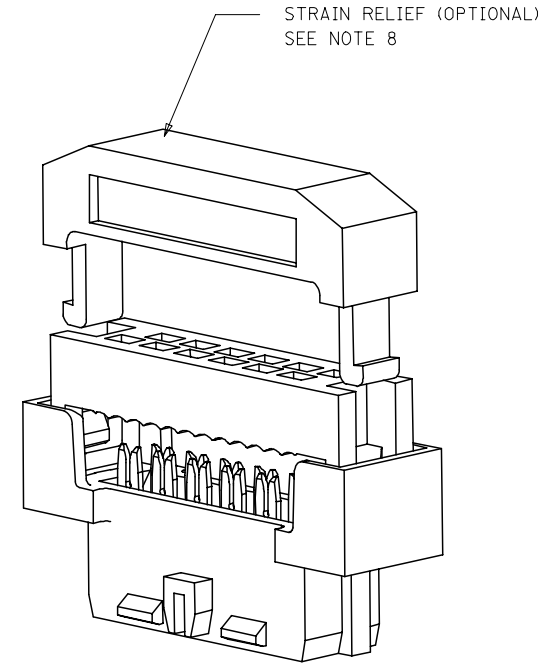
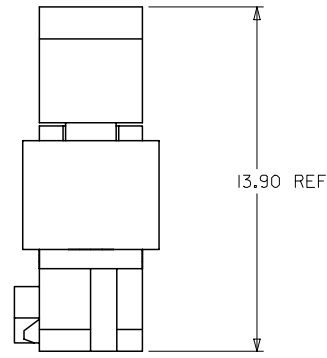
C

B

A



CABLE LOADED ASSEMBLY WITH STRAIN RELIEF



3D VIEW
(12 CKT SHOWN FOR ILLUSTRATION ONLY)

NOTES

9 THIS DIMENSION IS TO ENSURE GOOD CABLE TERMINATION.

OBS TIN/LEAD P/N EC NO: S2006-0732 DRWN:MLONG 2006/04/03 CHKD:NAGESHKN 2006/04/04 APPR:PTLIM 2006/04/06	DESCRIPTION REV	QUALITY SYMBOLS	GENERAL TOLERANCES (UNLESS SPECIFIED)		DIMENSION STYLE MM ONLY		SCALE NTS	DESIGN UNITS METRIC	THIRD ANGLE PROJECTION																	
		$\nabla=0$ $\triangle=0$	<table border="1"> <thead> <tr> <th></th> <th>mm</th> <th>INCH</th> </tr> </thead> <tbody> <tr> <td>4 PLACES</td> <td>± ---</td> <td>± ---</td> </tr> <tr> <td>3 PLACES</td> <td>± ---</td> <td>± ---</td> </tr> <tr> <td>2 PLACES</td> <td>± 0.15</td> <td>± ---</td> </tr> <tr> <td>1 PLACE</td> <td>± ---</td> <td>± ---</td> </tr> </tbody> </table>		mm	INCH	4 PLACES	± ---	± ---	3 PLACES	± ---	± ---	2 PLACES	± 0.15	± ---	1 PLACE	± ---	± ---	DRAWN BY AGARWAL 1997/08/05		TITLE		MGRID 2MM DUAL ROW IDT RECEPTACLE	MOLEX INCORPORATED	SHEET NO. 3 OF 3	
			mm	INCH																						
		4 PLACES	± ---	± ---																						
3 PLACES	± ---	± ---																								
2 PLACES	± 0.15	± ---																								
1 PLACE	± ---	± ---																								
DRAFT WHERE APPLICABLE MUST REMAIN WITHIN DIMENSIONS		CHECKED BY SQUEK 1997/09/03		APPROVED BY JAMES 1997/09/03		MATERIAL NO. SEE TABLE	DOCUMENT NO. SD-87568-003																			
THIS DRAWING CONTAINS INFORMATION THAT IS PROPRIETARY TO MOLEX INCORPORATED AND SHOULD NOT BE USED WITHOUT WRITTEN PERMISSION																										

9 8 7 6 5 4 3 2 1